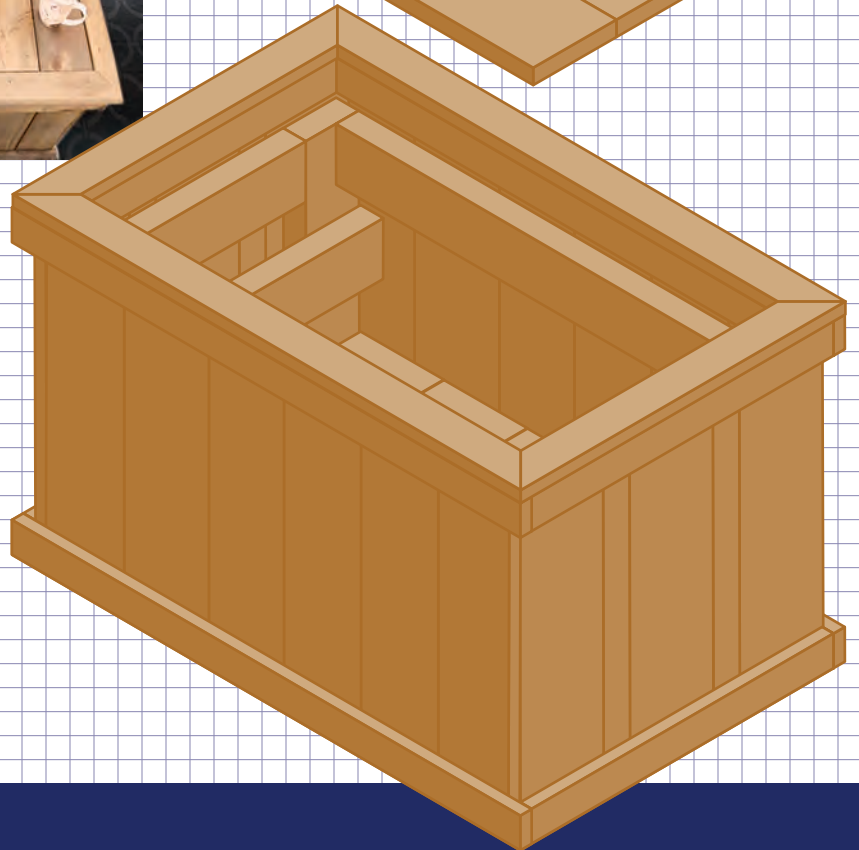
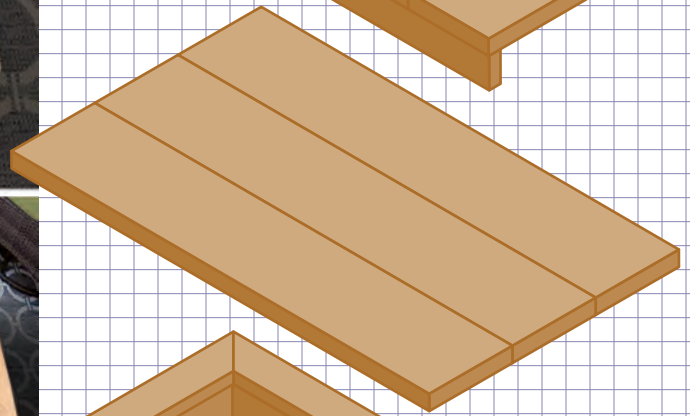
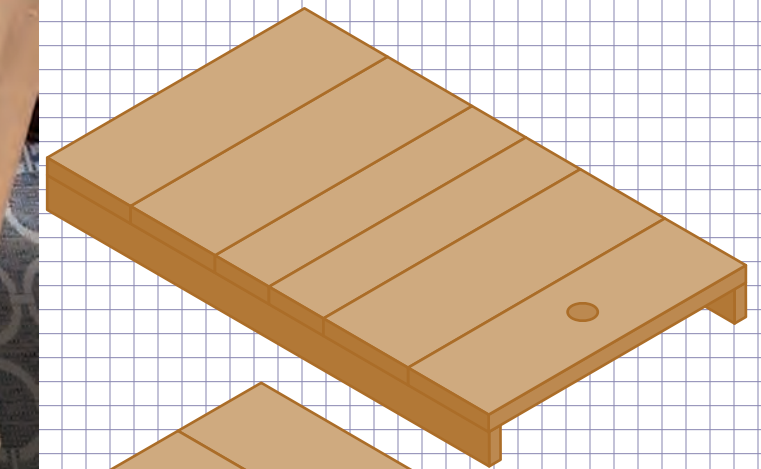




Treated Wood

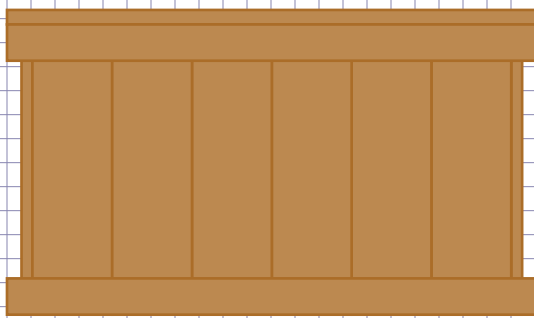
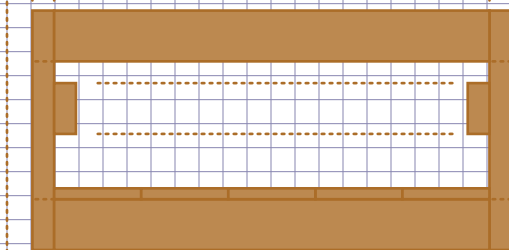
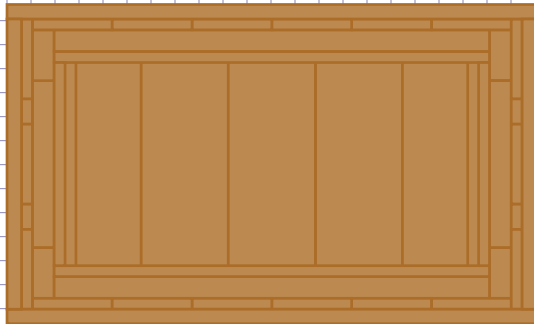
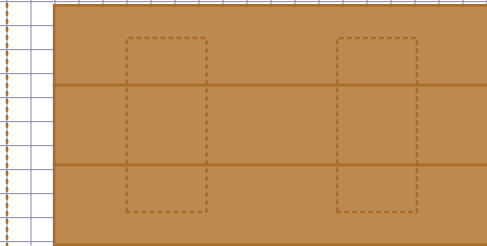
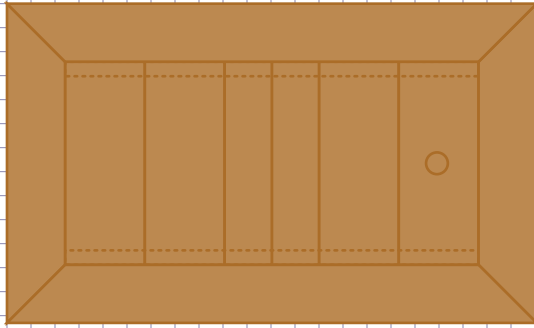
Plans to Build a MicroPro Sienna 3-in-1 Deck Box



YouTube **How to Build a
3-in-1 Deck Box**
– A DIY Guide to
Multifunction Storage
with Chris Palmer



www.MicroProSienna.com

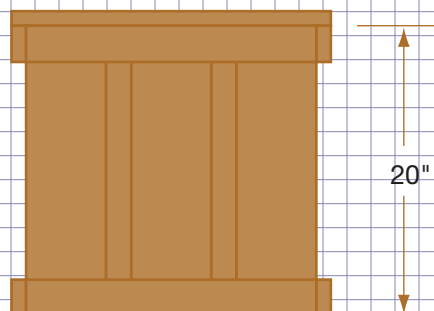
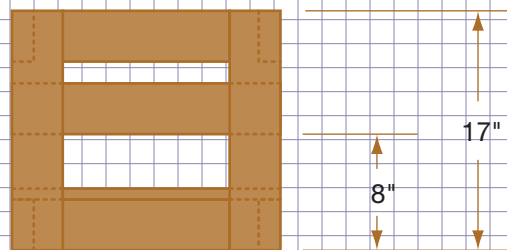


Materials List

3	2x4 x 8'
10	1x6 x 6'
4	5/4x6 x 8'
1 box 3" deck screws	
1 box 2" deck screws	
1 box 1" crown staples	
MicroPro Sienna colour-matched Cut-N-Seal® Sealer	

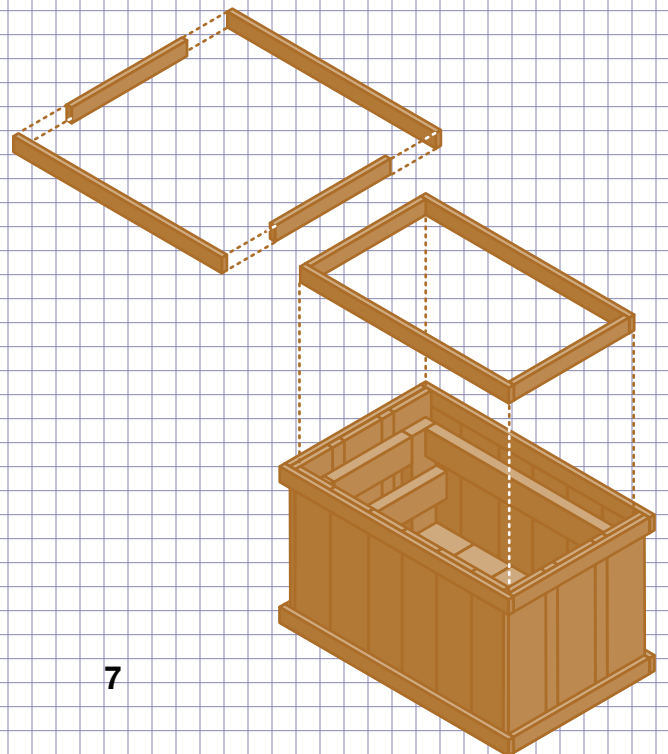
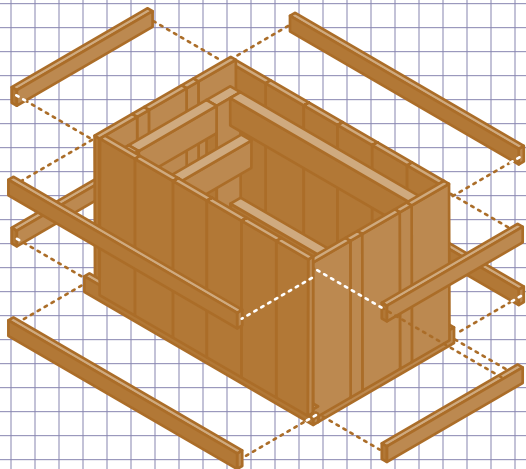
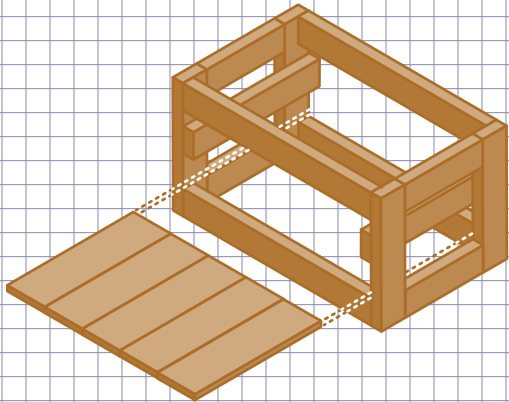
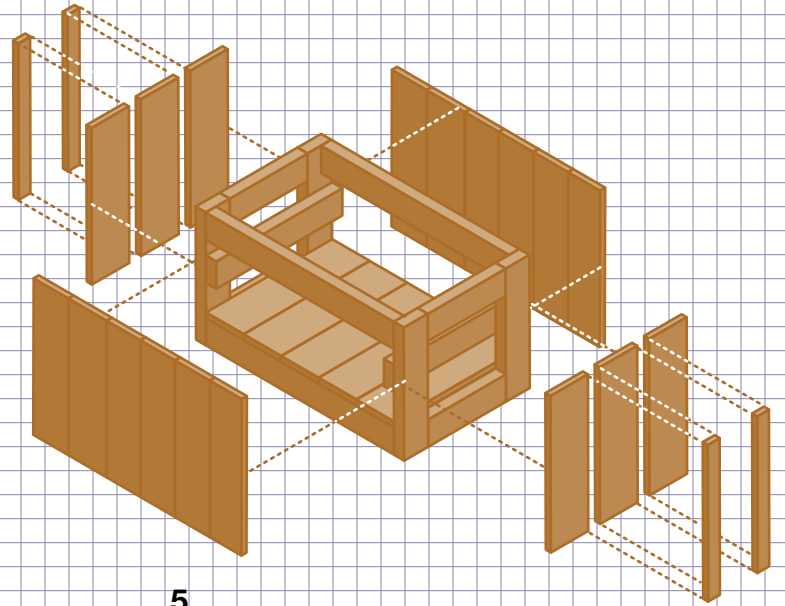
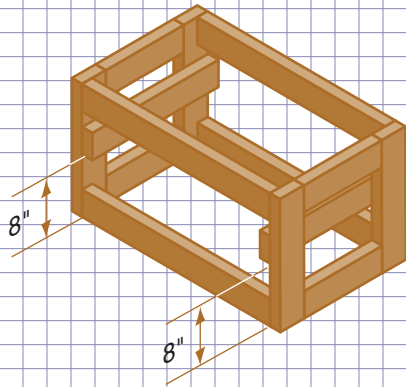
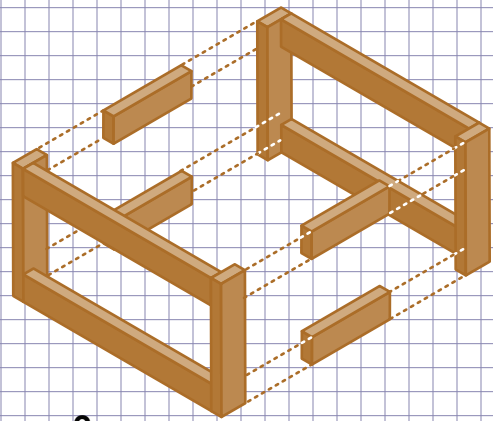
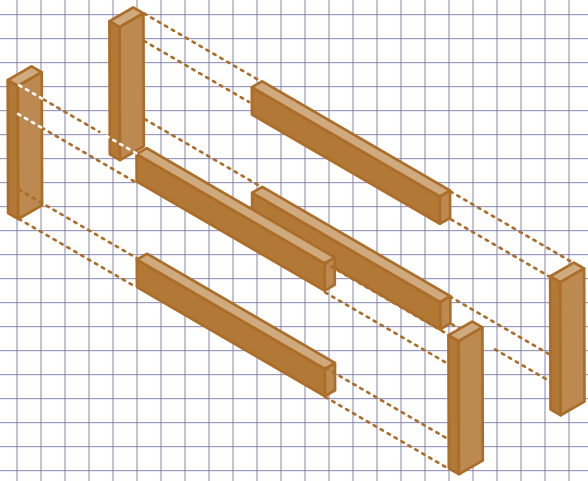
Cut List

Frame legs	4	2x4 x 17"
Frame braces	2	2x4 x 29"
	2	2x4 x 11-1/2"
Top ledge	2	2x4 x 18-5/8"
Bottom shelf	5	1x6 x 18-5/8"
Outside walls	19	1x6 x 20" (1 ripped in 4)
Exterior/interior trim	12	1x6 ripped cut to measure
Removable interior shelf	3	5/4x6 x 28-7/8"
	2	1x6 offcuts
Top picture frame	4	5/4x6 ripped to 2-1/2" mitre cut to measure
Lid rails	2	5/4x6 ripped to 2-15/16" cut to measure
Lid top	6	5/4x6 x 17-1/4"



36"

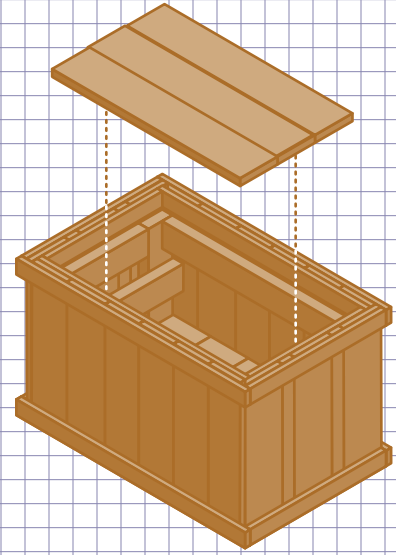
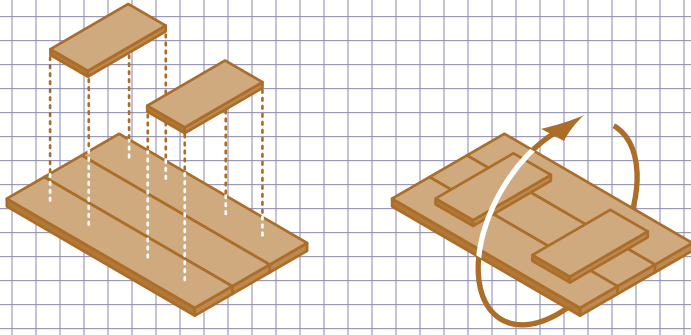
18-1/2"



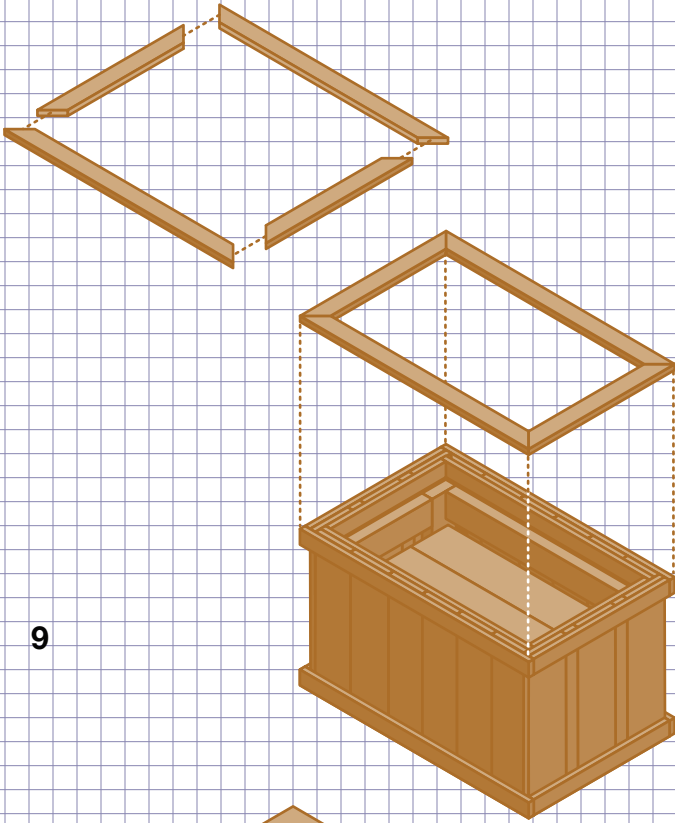
6

7

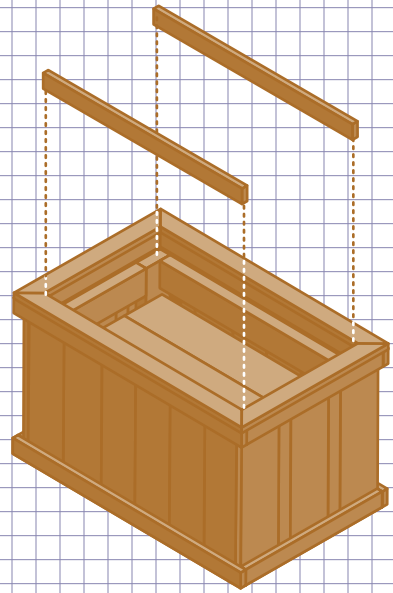
8



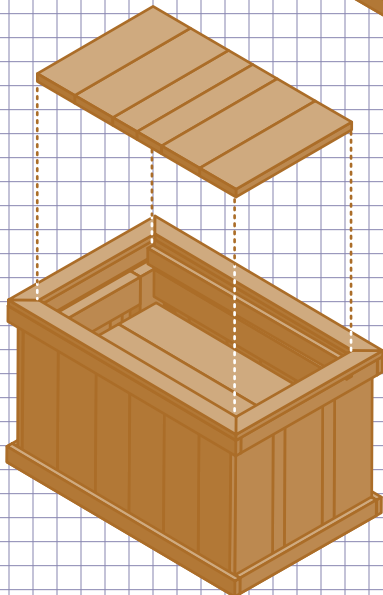
9



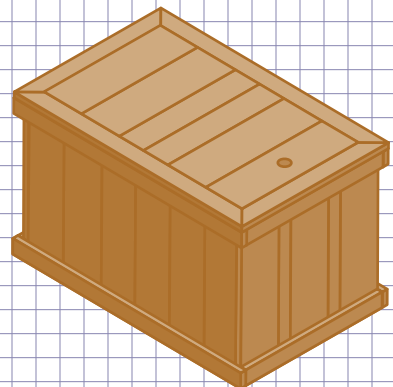
10



11



12





Important Information

MicroPro Sienna® Treated Wood products are pressure treated with MicroPro® Micronized Copper Azole to protect the wood against fungal decay and termite attack. The main ingredient in the preservative system is copper, which has long been known as an effective wood preservative. MicroPro Sienna uses micronized copper coupled with micronized tebuconazole for long-term protection of wood exposed in exterior applications.

- Do not burn treated wood.
- Wear a dust mask and goggles when cutting or sanding wood.
- Wear gloves when working with wood.
- Some preservative and/or pigment colour may migrate from the treated wood into soil, water or other surfaces. It may also dislodge from the treated wood surface upon contact with skin. Wash exposed skin areas thoroughly.
- All sawdust and construction debris should be cleaned up and disposed of after construction.
- Wash work clothes separately from other household clothing before reuse.
- Treated wood should not be used where it may come into direct or indirect contact with drinking water, except for uses involving incidental contact such as freshwater docks and bridges.
- Do not use treated wood under circumstances where the preservative may become a component of food, animal feed, or beehives.
- Do not use treated wood as mulch.
- Only treated wood that is visibly clean and free of surface residue should be used.
- If the wood is to be used in an interior application and becomes wet during construction, it should be allowed to dry before being covered or enclosed.
- Projects should be designed and installed in accordance with federal, provincial, and local building codes and ordinances governing construction in your area.
- Users should dispose of treated wood scraps and cut offs in accordance with local, provincial and federal regulations.

Important Application Information

Cut ends / Field cuts – When building your outdoor project with pressure treated wood it is important to protect the cut ends, drill holes, and other field cuts.

- For pressure treated timbers and for pressure treated wood used in **ground contact applications**, a brush-on end-cut wood preservative is required at the time of construction on all saw cuts, drill holes and other field cuts. Two applications of a copper naphthenate based end-cut preservative must be applied to the treated wood before it is installed. Follow the manufacturer's directions for proper application.
- For pressure treated wood used in **above ground applications**, such as deck boards, railings, post tops or fence boards, a brush-on end-cut wood preservative or Timber Specialties Cut-N-Seal® product should be applied to all saw cuts, drill holes and other field cuts at the time of construction. Follow the manufacturer's directions for proper application.

Fasteners – Wood treated with MicroPro technology exhibits corrosion rates on metal products similar to untreated wood. Use fasteners and hardware designed for exterior construction that are in compliance with the manufacturer's recommendations and the building codes for their intended use.

Contact with aluminum – Aluminum building products may be placed in direct contact with MicroPro Sienna Treated Wood products used for interior uses and above ground exterior applications where the wood is not exposed to frequent and prolonged wetting, such as decks and fencing. MicroPro Sienna Treated Wood in direct contact with aluminum products should only be used in code compliant construction applications that provide proper water drainage and do not allow the wood to be exposed to, or remain in contact with a continual moisture source, standing water or water immersion, such as boat docks, hot tubs and swimming pools. In addition, MicroPro Sienna Treated Wood should not be encased, sealed, or wrapped with aluminum products where moisture or water can be trapped, so as to avoid pitting or other undesirable results. (For more information, see the Fastener and Hardware Information sheet online.)

Appropriate usage – Above Ground treated wood should not be used in ground contact applications, as this can adversely affect the performance of the entire project. The appropriate usage is noted on the end tag attached to each piece of MicroPro Sienna Treated Wood.

Pilot holes – Drill pilot holes to minimize splitting especially when nailing or screwing near the edge or end of a board.

Mold growth – Mold growth can and does occur on the surface of many products, including untreated and treated wood, during prolonged surface exposure to excessive moisture conditions. To remove mold from the treated wood surface, wood should be allowed to dry. Typically, mild soap and water can be used to remove remaining surface mold.

For more information, visit www.MicroProSienna.com.