

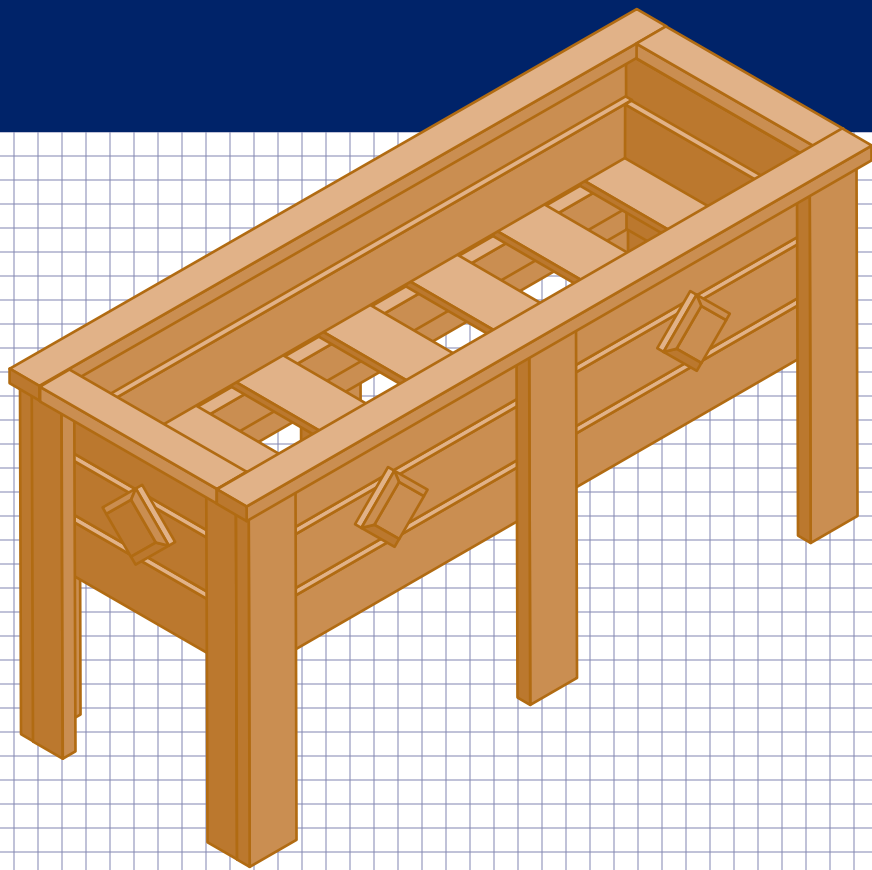


Treated Wood

Plans to Build a MicroPro Sienna Raised Garden Box



www.MicroProSienna.com



Materials List

2 2x4 x 8'

2 2x4 x 10'

1 2x4 x 12'

2 2x6 x 10'

13 1x6 x 6'

6 6x6 flat post caps

Colour-matched deck screws

MicroPro Sienna colour-matched
Cut-N-Seal® Sealer

Cut List

Legs 4 2x4 x 36"

6 2x6 x 36"

End Panels 6 1x6 x 24"

2 1x6 x 21-1/2"

Side Panels 6 1x6 x 72"

2 1x6 x 70-3/4"

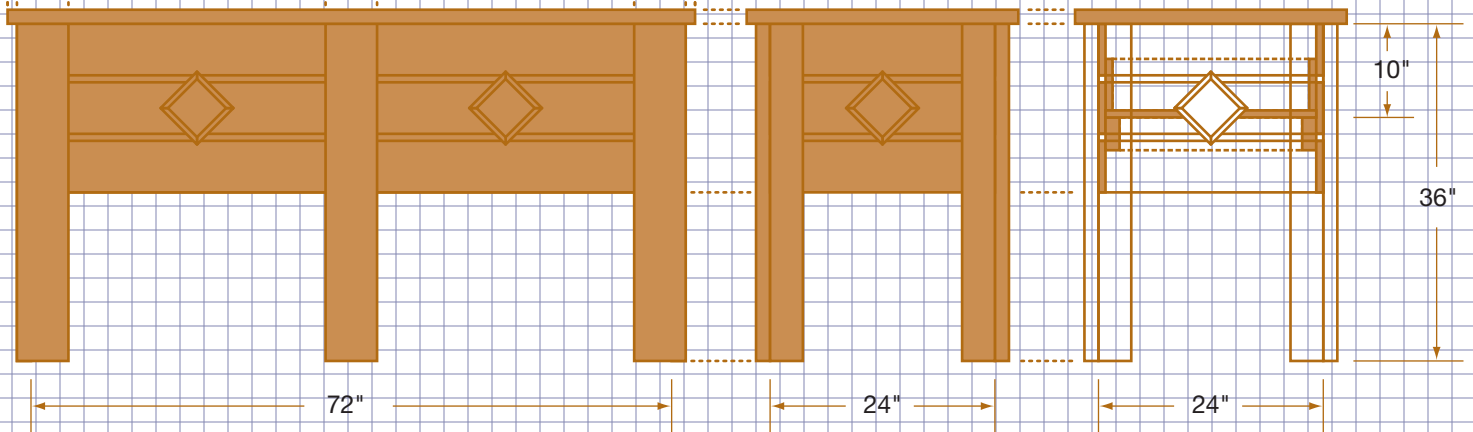
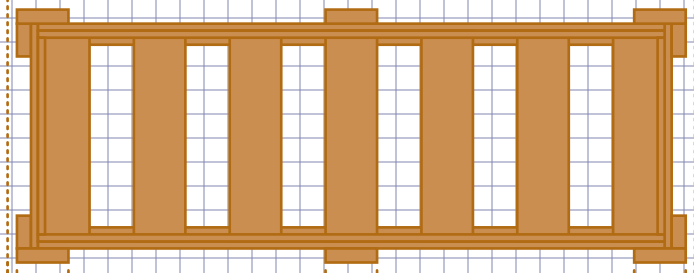
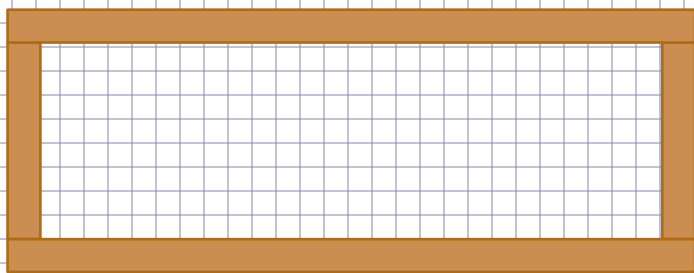
Inside Base 2 2x4 x 22-3/4"

2 2x4 x 72"

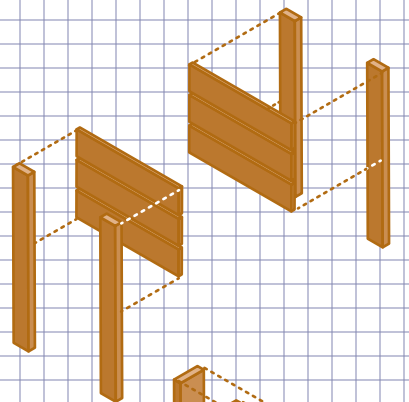
7 1x6 x 21-1/2"

Top frame 2 2x4 x 78"

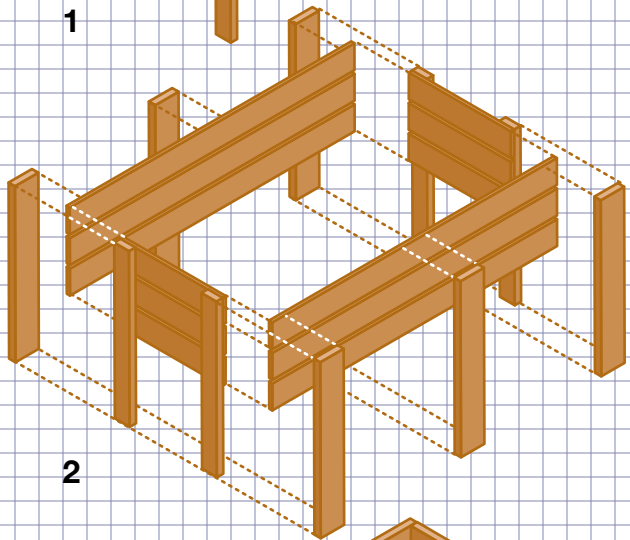
2 2x4 x 27"



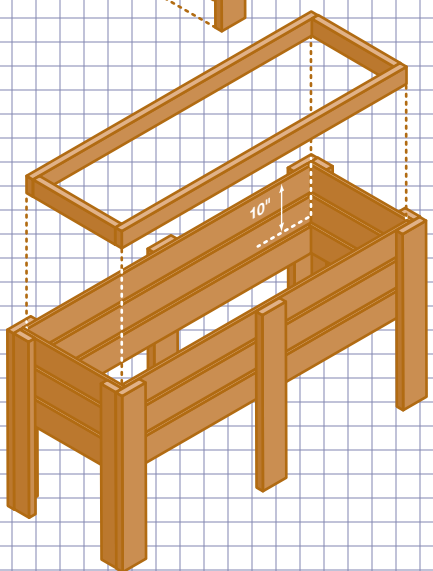
1



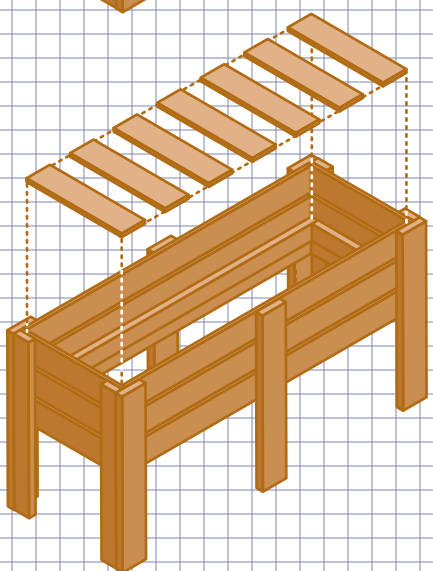
2



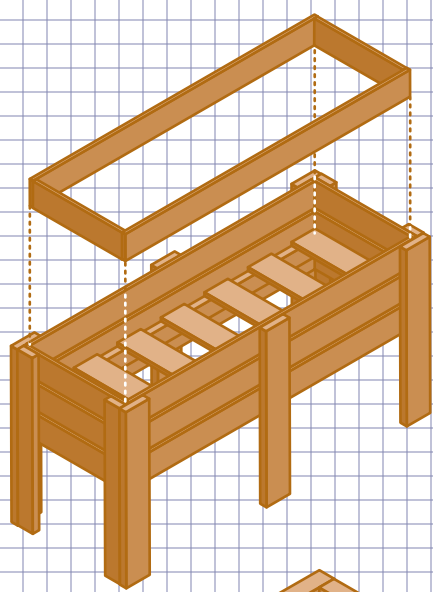
3



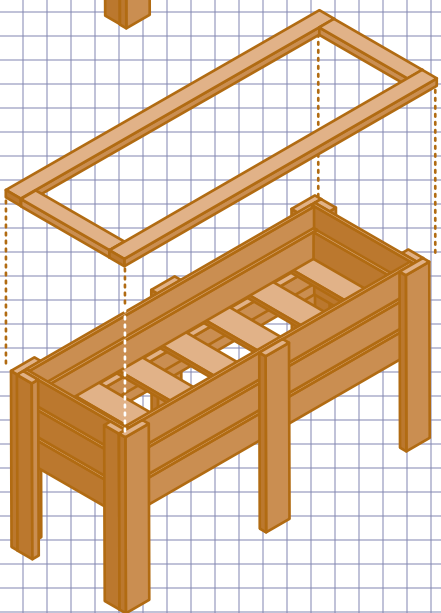
4



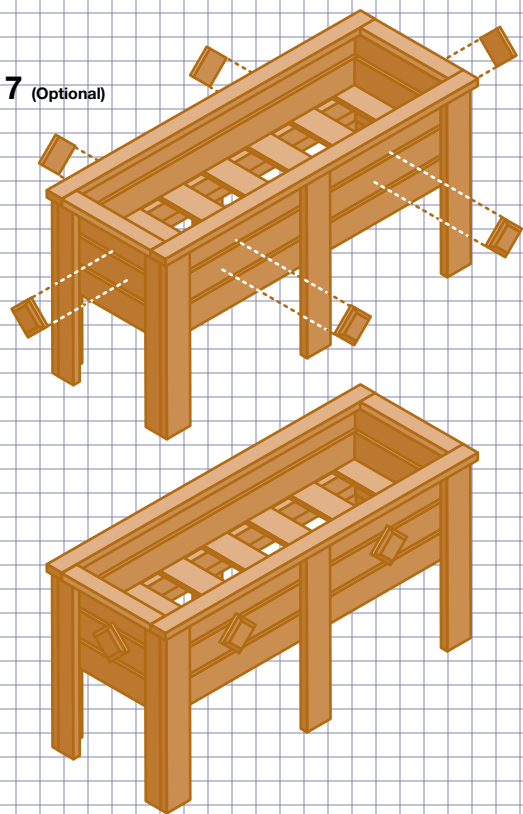
5



6



7 (Optional)





Treated Wood

www.MicroProSienna.com

Important Information

MicroPro Sienna® Treated Wood products are pressure treated with MicroPro® Micronized Copper Azole. The main ingredient in the preservative system is copper, which has long been known as an effective wood preservative. MicroPro Sienna uses micronized copper coupled with micronized tebuconazole for long-term protection of wood exposed in exterior applications.

- Do not burn treated wood.
- Wear a dust mask and goggles when cutting or sanding wood.
- Wear gloves when working with wood.
- Some preservative and/or pigment colour may migrate from the treated wood into soil/water or may dislodge from the treated wood surface upon contact with skin. Wash exposed skin areas thoroughly.
- All sawdust and construction debris should be cleaned up and disposed of after construction.
- Wash work clothes separately from other household clothing before reuse.
- Treated wood should not be used where it may come into direct or indirect contact with drinking water, except for uses involving incidental contact such as fresh water docks and bridges.
- Do not use treated wood under circumstances where the preservative may become a component of food, animal feed, or beehives.
- Do not use treated wood as mulch.
- Only treated wood that is visibly clean and free of surface residue should be used.
- If the wood is to be used in an interior application and becomes wet during construction, it should be allowed to dry before being covered or enclosed.
- Projects should be designed and installed in accordance with federal, provincial, and local building codes and ordinances governing construction in your area.
- Residential users may dispose of treated wood scraps and cut offs by ordinary trash collection or burial. Commercial and industrial users of treated wood should dispose of treated wood scraps and cut offs in accordance with local, provincial and federal regulations.

Important Application Information

Cut ends / Field cuts – When building your outdoor project with pressure treated wood it is important to protect the cut ends, drill holes, and other field cuts.

- For pressure treated timbers and for pressure treated wood used in **ground contact applications**, a brush on end-cut wood preservative is required at the time of construction on all saw cuts, drill holes and other field cuts. Two applications of a copper naphthenate based end-cut preservative must be applied to the treated wood before it is installed. Follow the manufacturer's directions for proper application.
- For pressure treated wood used in **above ground applications**, such as deck boards, railings, post tops or fence boards, a brush on end-cut wood preservative or Timber Specialties Cut-N-Seal® product should be applied to all saw cuts, drill holes and other field cuts at the time of construction. Follow the manufacturer's directions for proper application.

Fasteners – Wood treated with MicroPro® technology exhibits corrosion rates on metal products similar to untreated wood. Use fasteners and hardware that are in compliance with the manufacturer's recommendations and the building codes for their intended use. Aluminum building products may be placed in direct contact with MicroPro treated wood products used for interior uses and above ground exterior applications such as decks, fencing and landscaping projects (For more information, see the Fastener and Hardware Information sheet).

Appropriate usage – Above Ground treated wood should not be used in ground contact applications, as this can adversely affect the performance of the entire project. The appropriate usage is noted on the end tag attached to each piece of MicroPro Sienna Treated Wood.

Pilot holes – Drill pilot holes to minimize splitting especially when nailing or screwing near the edge or end of a board.

Weather-resistant finish – Any exposed wood, pressure treated or not, should be protected with a high quality water repellent to help reduce warping, checking, and splitting. Follow the manufacturer's instructions and label of the finishing product. Before you start, we recommend you apply the finishing product to a small exposed test area before finishing the entire project to insure it provides the intended result before proceeding.

Mold growth – Mold growth can and does occur on the surface of many products, including untreated and treated wood, during prolonged surface exposure to excessive moisture conditions. To remove mold from the treated wood surface, wood should be allowed to dry. Typically, mild soap and water can be used to remove remaining surface mold.